



SP2000H/VA/3VA/EA...

## Electrical Actuator for 90° Switch SP2000/EA

for gas sample probes with integrated ball valve

### Special Features

- **Factory assembly**
- **Different voltages possible**
- **End position indication**

### Application

The electrical actuator is used for remote control of the 2- or 3-way ball valve integrated into the gas sample probe SP2000. As an alternative to pneumatic remote control, additional control air and the installation of control air lines are not required.

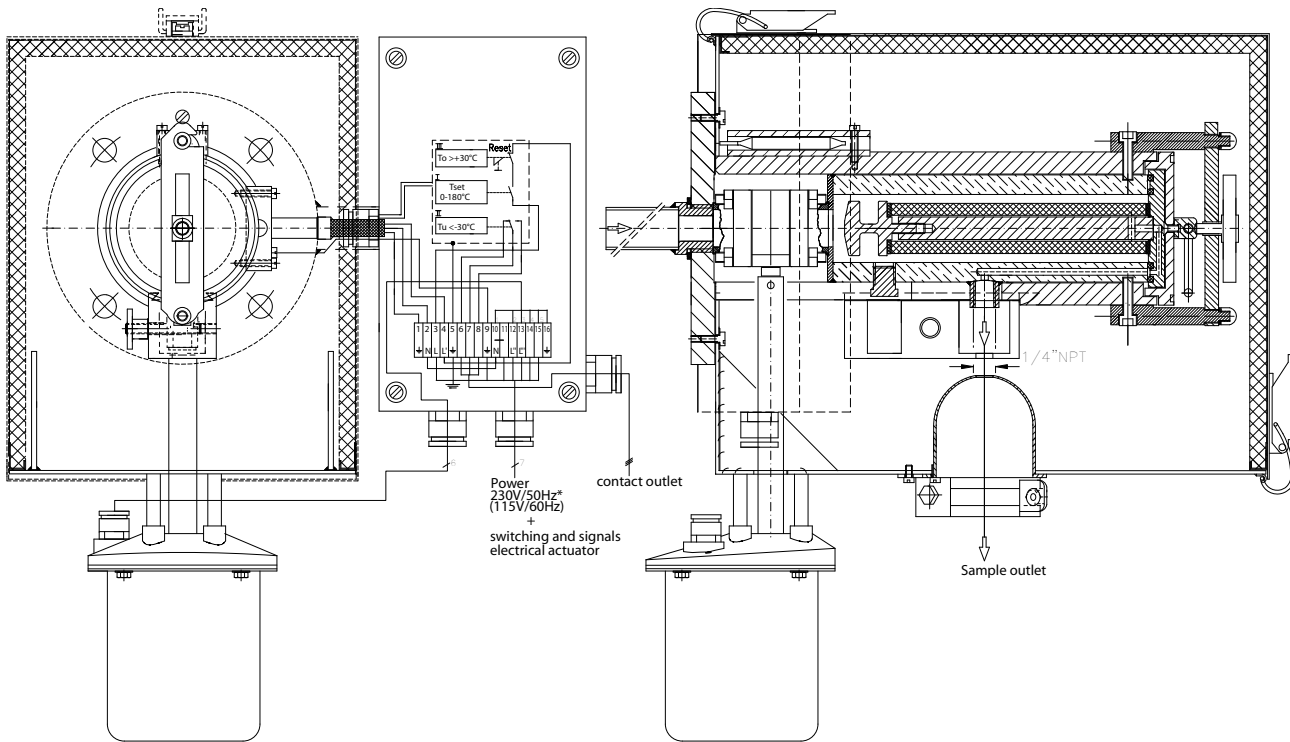
### Description

For automatic operation of the ball valve, the electrical actuator/EA is mounted on the gas sample probe SP2000 at the factory and connected to the probe junction box.

The power supply for the servomotor is normally 230 V 50 Hz. Power supply 24 V DC is also available.

To control the actuator, the control voltage on both on/off inputs is switched accordingly. In the standard version, the end position of the actuator can be monitored by tapping the internally switched control voltage at the terminals.

Additional potential-free contact outputs for indicating the operating status are available as an option.



\* Standard

## Technical Data

	<b>SP2000-EA</b>
Part No. 20S9342	Electrical actuator EA-230, 230 V 50 Hz *standard
Part No. 20S9342d	Electrical actuator EA-24, 24 V DC
Part No. 20S9343	Extra charge for 2 potential-free contacts EA...K to indicate operating position open/close
Power supply	230 V 50 Hz 140 W*, (or 115 V 60 Hz or 24 V DC)
Ambient temperature	-20 up to +70 °C [-4 to 158 °F]
Degree of protection	IP65 EN 60529