



MP06

Analytical Diaphragm Pump Series MP®

Version MP06

Special Features

- Corrosion-resistant
- 100 % lubricant-free
- Gas-tight
- Maintenance-free

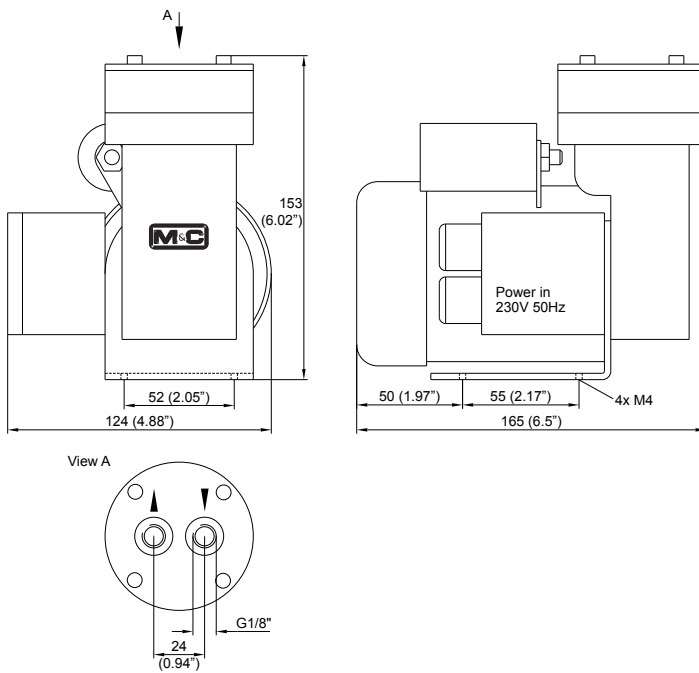
Application

The compact MP06 diaphragm pump is particularly suited for corrosive gases. Their performance characteristics and design are specially designed for problems encountered in analytical technology.

Description

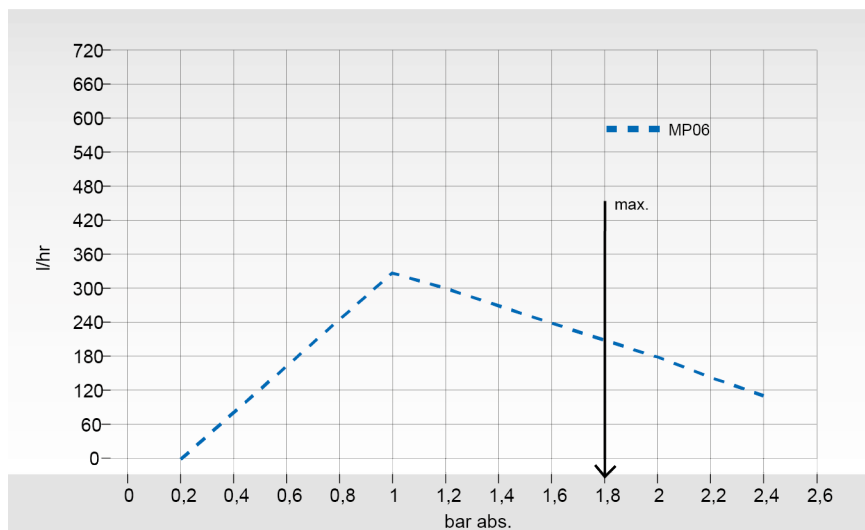
The MP06 has a robust drive motor with 1400 rpm. The encapsulated drive area ensures extremely low-noise operation. All parts in contact with the medium are made of fiber-reinforced PTFE and FKM.

For smooth operation, the permissible operating pressure of 0.8 bar must be observed. For this reason, the gas flow should be reduced or regulated via a needle valve on the suction side or by means of an overpressure valve or a bypass on the pressure side.



Dimensions in mm (inch)

Pump Capacity MP06



Operating pressure max. 1.8 bar abs.!

Technical Data

Pump Series MP*	MP06	MP06/R
Part No.	03P1000(a)	03P1500(a)
Power supply	230 V/50 Hz, 70 VA; Part No. ...a = 115 V/60 Hz, 70 VA	
Capacity max. without pressure	5.5 NI/min	
Integrated bypass needle valve for adjusting the flow rate	No	Yes
Operating pressure max.	0.25 to 1.8 bar abs.	
Sample temperature	-20 to +80 °C [-4 to 176 °F]	
Ambient temperature	-10 to +40 °C [14 to 104 °F]	
Storage temperature	-15 to +60 °C [5 to 140 °F]	
Operation mode	100 % continuous duty, start of the pump only without pressure!	
Protection	IP54 EN 60529	
Weight	2.4 kg [≈ 5.3 lbs]	
Gas connections	G 1/8" i DIN ISO 228T1	
Material of sample-contacting parts	Fiber-reinforced PTFE, FKM	

Please note: NI/h and NI/min refer to the German standard DIN 1343 and are based on these standard conditions: 0 °C [32 °F], 1013 mbar.