



MP47..

Analytical Diaphragm Pump Series MP®

Versions MP47/R and MP47-Z/R
with integrated needle valve type /R
for flow adjustment

Special Features

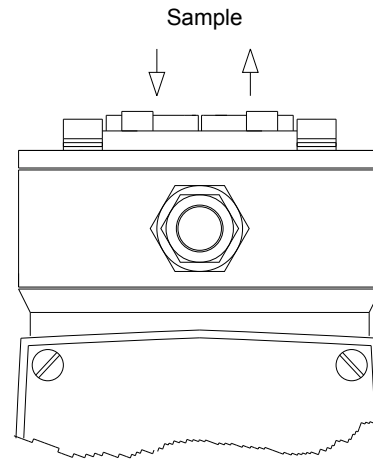
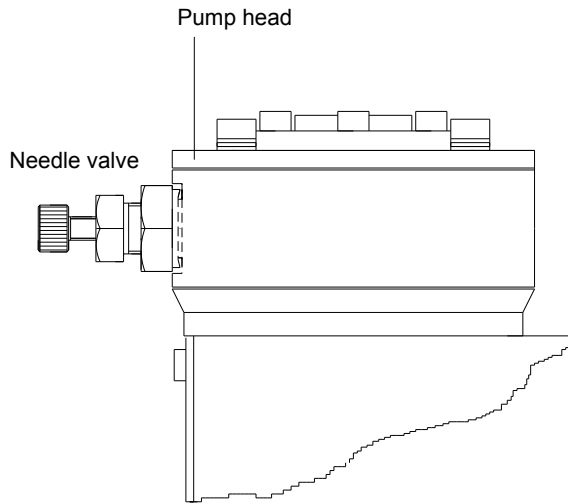
- Corrosion-resistant
- 100 % lubricant-free
- Gas-tight
- Maintenance-free
- Diaphragm break monitoring possible
- Long service life
- With integrated needle valve

Description

The integrated needle valve in the pump head is an internal bypass and allows the adjustment of the flow rate.

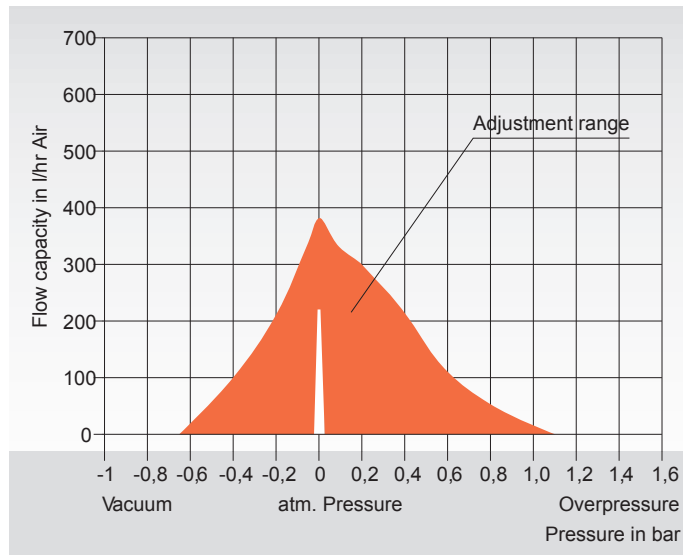
Due to the optimum needle form, flow adjustment is possible in a wide range.

All parts in contact with the sample are made of PTFE and PVDF. O-rings are not required.

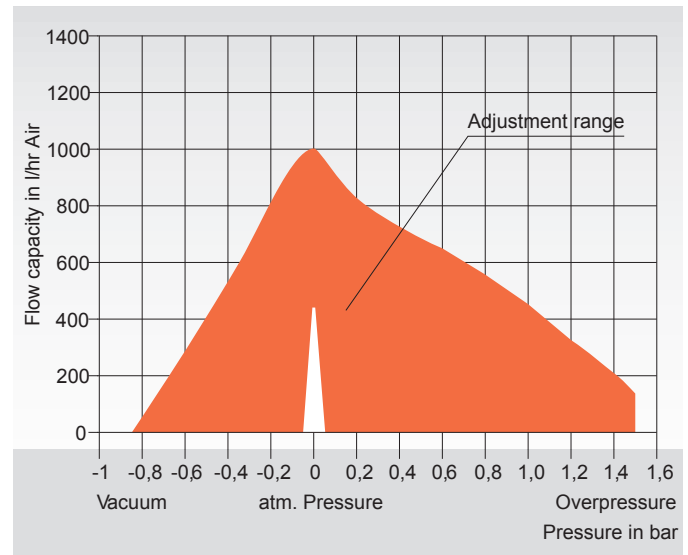


Dimensions in mm

Analytical Diaphragm Pump Type MP47/R



Analytical Diaphragm Pump Type MP47-Z/R



– For further details see data sheet "Analytical Diaphragm Pump Series MP® Versions MP47, MP47-Z, MP47.../EX" –

Part Numbers	
02P1050	Analytical diaphragm pump MP47/R = 230 V/50 Hz or 02P1050a = 115 V/60 Hz
02P1150	Analytical diaphragm pump MP47-Z/R = 230 V/50 Hz or 02P1150a = 115 V/60 Hz